



Client _____ Quantity _____
 Project _____ Position _____

Levtronic 650 lt cabinet

Model: A80/1FHV

Cod: A32080800601

Technical data

| | |
|----------------------------|---------------------------------|
| Max capacity: | 34 trays EN60x40 |
| Gross capacity: | 573 lt |
| Temperature range: | -6°+40°C |
| Ventilation range: | 25% - 100% |
| Humidity range: | 45% - 95% with humidifier |
| Humidifier: | Incluso |
| Refrigerant unit: | Plug-In |
| Cooling gas: | R452A |
| Defrost: | Electric |
| Valve: | Supplied standard with solenoid |
| Dimensions: | 810×715×2085 |
| Packing dimensions: | 905×830×2250 mm |
| Gross weight: | 170 Kg |
| Voltage: | 220-240 V - 50 Hz |
| Total rate: | 1360 W |
| Absorbed Current: | 6,2 A |
| Cooling capacity: | 668 W* |
| *: | Evap. -10°C Cond. +55°C |

Features

| | |
|-------------------------------------|---|
| Functions: | Manual proving, retarder prover, continuous cycle, storage |
| Standard equipment: | 20 slides for EN60x40 trays, lock with key, water drain, LED lighting |
| Control: | 4,3" touch screen display with USB port |
| Doors: | 1 porta in alluminio, autochiudente con fermo a 105°, cerniere a destra |
| Door gasket: | Magnetic, triple chamber and easily replaceable |
| Insulation: | 75 mm thickness - CFC/HCFC free |
| Exterior/interior finishing: | Exterior and interior AISI 304 stainless steel. Back, base and internal technical compartment in galvanized/ colaminated steel. |
| Inner corners: | Rounded for easy cleaning and ensuring maximum hygiene |
| Handle: | Stainless steel AISI 304, 2 mm thick |
| Racks and slides: | Stainless steel AISI 304 |
| Feets: | Stainless steel AISI 304, adjustable h 100-150 mm |
| Cosmo: | Wi-Fi remote control system |

Accessories and variants

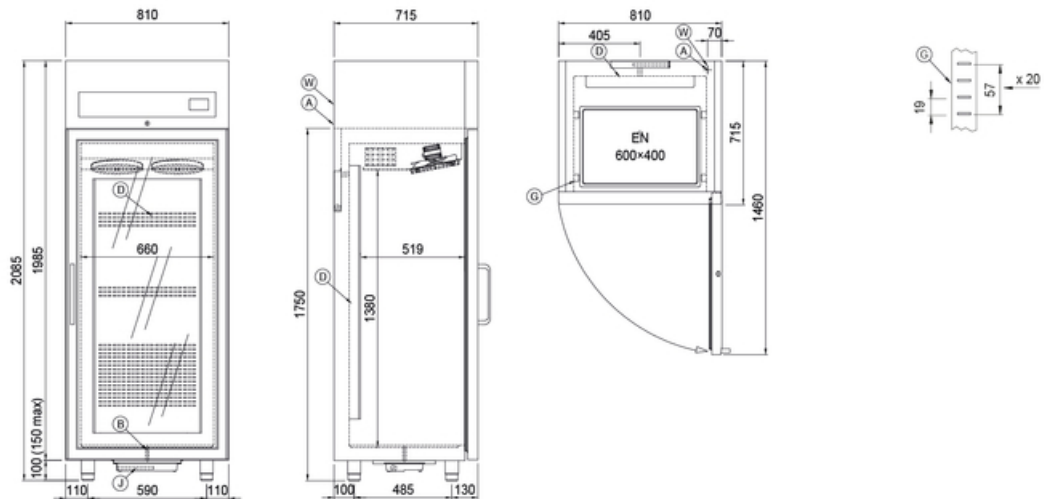
| |
|--|
| RAL customisable colouring |
| Stainless steel evaporator |
| Power supply frequency 60Hz |
| Other special voltage |
| Foot pedal kit |
| Purity C Quell ST 50 filter cartridge |
| Aluminium coated backing-pan EN60x40 h 20 mm |
| Stainless steel shelf EN60x40 |
| Plastic coated shelf EN60x40 |
| Pair of type L slides 398 mm EN |
| Serial interface, RS485 cable |

COSMO - wi-fi control

Cosmo is the wi-fi technology that allow to connect, update and monitor with a smartphone the LEVTRONIC retarder prover devices. VISION is also a Cosmo hub and allow remote supervision of the Coldline devices connected to it. From the app you can check the operating conditions of each machine and receive alerts in the event of abnormal operation.

*The installation requires a kit for the replacement of the racks

Technical draw



- | | | |
|-------------------------------------|---|---|
| A: Power supply cable outlet | B: Condensation water drain | D: Airflow conveyor |
| G: Racks pitch | J: Automatic evaporation of condensing water | W: Water mains connection for humidifier - 3/4" female. Unloading not required |