

Client \_\_\_\_\_ Quantity \_\_\_\_\_  
 Project \_\_\_\_\_ Position \_\_\_\_\_

## Levtronic EN60x40 counter 3 doors

**Model:** TA17/1FH-760

**Cod:** T30302000802



### Technical data

<b>Top:</b>	With top
<b>Max capacity:</b>	21 trays EN60x40
<b>Gross capacity:</b>	658 lt
<b>Temperature range:</b>	-6°+40°C
<b>Refrigerant unit:</b>	Plug-In
<b>Climate class:</b>	5
<b>Cooling gas:</b>	R452A
<b>Defrost:</b>	Hot gas
<b>Body height:</b>	760 mm
<b>Valve:</b>	Supplied standard with solenoid
<b>Dimensions:</b>	2005×800×1000 mm
<b>Packing dimensions:</b>	2100×900×1040 mm
<b>Gross weight:</b>	189 Kg
<b>Voltage:</b>	220-240 V - 50 Hz
<b>Total rate:</b>	1500 W
<b>Absorbed Current:</b>	6,9 A
<b>Cooling capacity:</b>	565 W*
<b>*:</b>	Evap. -10°C Cond. +55°C

### Features

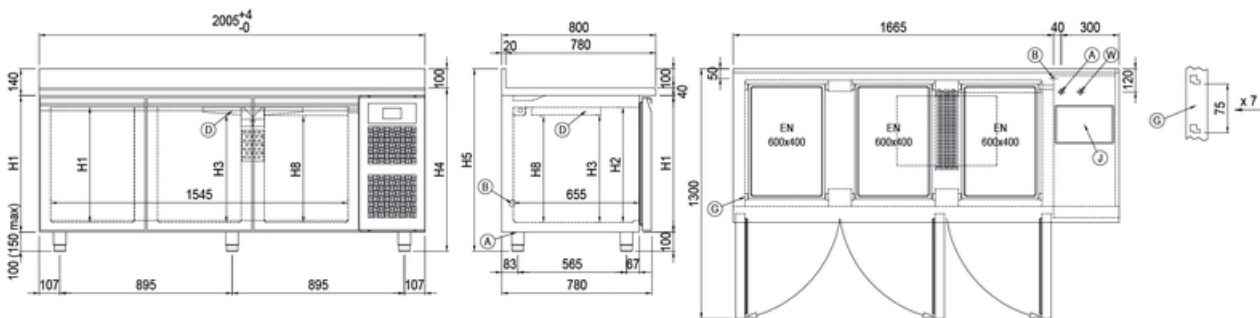
<b>Functions:</b>	Retarder prover, manual proving, continuous cycle and storage
<b>Standard equipment:</b>	12 slides EN60x40
<b>Control:</b>	4,3" touch screen display with USB port
<b>Doors:</b>	3 doors, self-closing, reversible with 105° stop
<b>Door gasket:</b>	Magnetic, triple chamber and easily replaceable
<b>Insulation:</b>	60 mm thickness - CFC/HCFC free
<b>Exterior/interior finishing:</b>	Exterior interior and back in AISI 304 stainless steel. Base in colaminated steel.
<b>Inner corners:</b>	Rounded for easy cleaning and ensuring maximum hygiene
<b>Handle:</b>	Stainless steel AISI 304, 2 mm thick
<b>Racks and slides:</b>	Stainless steel AISI 304
<b>Feets:</b>	Stainless steel AISI 304, adjustable h 100-150 mm

**COSMO - wi-fi control**

Cosmo è l'innovativa tecnologia wi-fi che permette di connettere e monitorare costantemente da smartphone il fermalievitazione LEVTRONIC. LEVTRONIC può essere anche un Cosmo hub e consentire la supervisione remota di tutti gli apparecchi Coldline a lui collegati. Dall'app Cosmo potrai controllare in tempo reale le condizioni di funzionamento di ogni macchina e ricevere alert in caso di funzionamento anomalo. Cosmo confronta costantemente le prestazioni dell'apparecchio con quelle ideali e, in caso di differenze significative, suggerisce la manutenzione necessaria. Il software LEVTRONIC può ricevere gli aggiornamenti periodici rilasciati, con le più recenti funzionalità sviluppate.



**Technical draw**



H1	H2	H3	H4	H5	H8
760	650	620	900	1000	590

- A:** Power supply cable outlet
- B:** Condensation water drain
- D:** Airflow conveyor
- G:** Racks pitch
- J:** Automatic evaporation of condensing water
- W:** Water mains connection - 3/4 female

In order to constantly offer the best possible products we reserve the right to make changes on technical specifications without incurring any obligation for equipment previously or subsequently sold.